

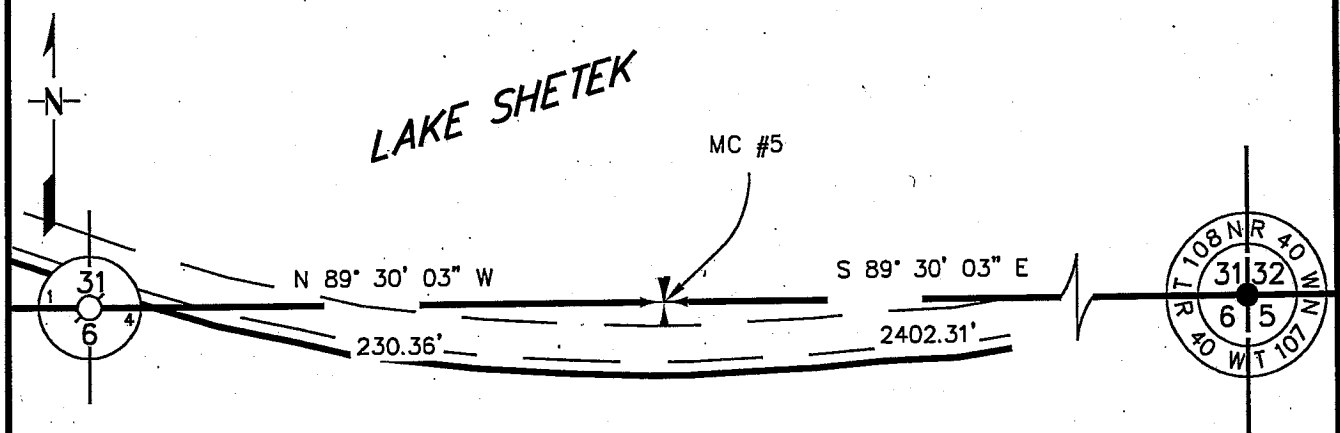
Index No. A-3-4

CERTIFICATE OF LOCATION OF GOVERNMENT CORNER

NUMBER 5 MEANDER Corner of Section 6, Township 107 N, Range 40 W
5th Principal Meridian, State of Minnesota, County of MURRAY

At the corner location shown on the sketch:

- On _____ found a _____
DATE _____
- left monument as found, lowered monument, removed monument (explain)
- On AUG 2008 Placed a _____
DATE _____



MEANDER CORNER

MURRAY COUNTY
COORDINATE SYSTEM
NAD 1983 1996 ADJ.
N = 195146.732
E = 519424.459

BEARINGS ARE COUNTY ORIENTATION

Statement of evidence for this corner location is on back of this page. 11/3/2008
SPK00220.00.00.01

I certify that this document was researched and prepared by me or under my direct supervision.

SIGNATURE Bruce W. Shippert DATE 10/14/09 License Number 17003

Title: Land Surveyor Professional Engineer County Surveyor County Engineer

Meander Corner Number 5 of Section 6, Township 107 North, Range 40 West, Page 1 of 3

ALSO

Meander Corner Number 44 of Section 31, Township 108 North, Range 40 West

The DNR Division of Lands and Minerals contacted the following for survey information:

Minnesota Secretary of State's Office
Murray County Recorder's Office
Murray County Highway Engineer's Office
Bueltel-Moseng Land Surveying of Marshall
Zieske Land Surveying Inc. of Windom
Madsen Land Surveying Inc. of Fairmont
Pellinen Land Surveying of Hutchinson

1861 U.S. General Land Office notes, obtained from the Secretary of State's Office, show the corner marked with a wood post with the following bearing trees marked:

20' Bur Oak, South 40° East, 70 links (46.20 feet)

8' Elm, North 87° West, 49 links (32.34 feet)

The corner is also shown:

36.50 chains (2409.00 feet) from the northeast corner of Section 6

3.50 chains (231.00 feet) from the north quarter corner of Section 6

42.42 chains (2799.72 feet) from the northwest corner of Section 6

No Date Surveyor's Record Book, obtained from the County Highway Engineer's Office, contains a survey in the Government Lots 3 and 4 of Section 6, which shows the meander corner. A description of what kind of monument was found or set at the corner is not given. The corner is shown:

3.50 chains (231.00 feet) from the north quarter corner of Section 6

42.42 chains (2799.72 feet) from the northwest corner of Section 6

The following is noted:

'timber land on Lots 3 and 4 divided into lots as per plat to be filed in the Register of Deeds Office stake at corners and lines blazed'

1936 A Survey Map by the National Park Service that shows Sections 5 and 6, T107N, R40W, Sections 1 and 2, T107N, R41W, and Sections 35 and 36, T108N, R41W, in the possession of the DNR Division of Lands and Minerals, shows that a base line was measured as follows:

from a brass plug at the intersection of a north-south concrete pavement road and an east-west gravel road in the vicinity of the northwest corner of Section 2, Township 107 North, Range 41 West to the area of the northeast corner of Section 5, Township 107 North, Range 40 West

No information is given about the meander corner.

A spike and lath were set on the north line of Section 6 between the north quarter corner of Section 6 and the northeast corner of Section 6 and are shown to be:
on the base line

Meander Corner Number 5 of Section 6, Township 107 North, Range 40 West, Page 2 of 3

ALSO

Meander Corner Number 44 of Section 31, Township 108 North, Range 40 West

Computations using stationing reveal the spike and lath are:

- a) 1320.00 feet from the north quarter corner of Section 6
- b) 1320.60 feet from the northeast corner of Section 6

The map has conflicting distances to section and quarter corners and appears that it's a preliminary survey because no boundary work is shown on it.

- 1966 DNR Bureau of Engineering contracted N.C. Hoium and Associates Inc. of Coon
1967 Rapids, Minnesota, to survey property in Lake Shetek State Park. The DNR records of survey show that a traverse was run from the northwest corner of Section 1, Township 107 North, Range 41 West to the northeast corner of Section 5, Township 107 North, Range 40 West. No information is given about the meander corner.

Computations from the survey information reveal that monuments were set on the north line of Sections 5 and 6 as follows:

- 3088 feet west of the northeast corner of Section 5
- 4826 feet west of the northeast corner of Section 5
- 5541 feet west of the northeast corner of Section 5
- 5860 feet west of the northeast corner of Section 5

A Conservation Monument was set on the north line of Section 6 at a distance of:
2170.70 feet east of the northwest corner of Section 6

- 1978 The plat of DIAMOND ROW in the Southeast Quarter of Section 31 by Willard Pellinen, LS 9626, obtained from the County Recorder's Office, shows an iron monument at the southeast corner of Section 31 (northeast corner of Section 6). Iron monuments are shown along the south line of Section 31 (north line of Section 6) at the following distances from the southeast corner of Section 31 (northeast corner of Section 6):
202.29 feet, 225.98 feet, 596.65 feet, 617.69 feet,
1508.65 feet, 1697.82 feet, 1723.50 feet

No information is given about the meander corner.

Meander Corner Number 5 of Section 6, Township 107 North, Range 40 West, Page 3 of 3

ALSO

Meander Corner Number 44 of Section 31, Township 108 North, Range 40 West

1981 December, a hand written statement with Willard Pellinen's business card copied thereon, from McCombs- Knutson Associates, Inc. in the possession of the DNR Division of Lands and Minerals, does not give any details about the meander corner. An attached sketch shows the following distances along the north line of Section 6:

- a) 2561.60 feet from the northwest corner of Section 6 to the north quarter corner of Section 6
- b) 2632.68 feet from the north quarter corner of Section 6 to the northeast corner of Section 6

Analysis of the above information along with the information in the Certificate of Location of Government Corner for the northeast corner of Section 1 led the DNR Division of Lands and Minerals to conclude that:

- a) in 1936, the National Park Service established the north line of Section 6 incorrectly
- b) in 1966/1967, N.C. Hoiium and Associates Inc. established the north line of Section 6 incorrectly
- c) in 1981, Willard Pellinen used the correct method to establish the north line of Section 6 but in doing so he used an incorrect location for the east quarter of Section 12 to compute the location of the northwest corner of Section 6

Monuments that were set along the north line of Section 6 in 1936 and 1966/1967 were not searched for because their locations were determined from incorrect locations for the northwest corner of Section 6 (northeast corner of Section 1).

The location of the meander corner was computed lost and was found to be:

- a) in Lake Shetek
- b) 2402.31 feet from the northeast corner of Section 6
- c) 230.36 feet from the north quarter corner of Section 6
- d) 2791.94 feet from the northwest corner of Section 6

A field search was conducted for the GLO bearing trees but no evidence of them was found. Also, searched for three irons on the south line of DIAMOND ROW between Lake Shetek and Park Lake but did not find them.

Accept the computed lost position as the location of the corner.